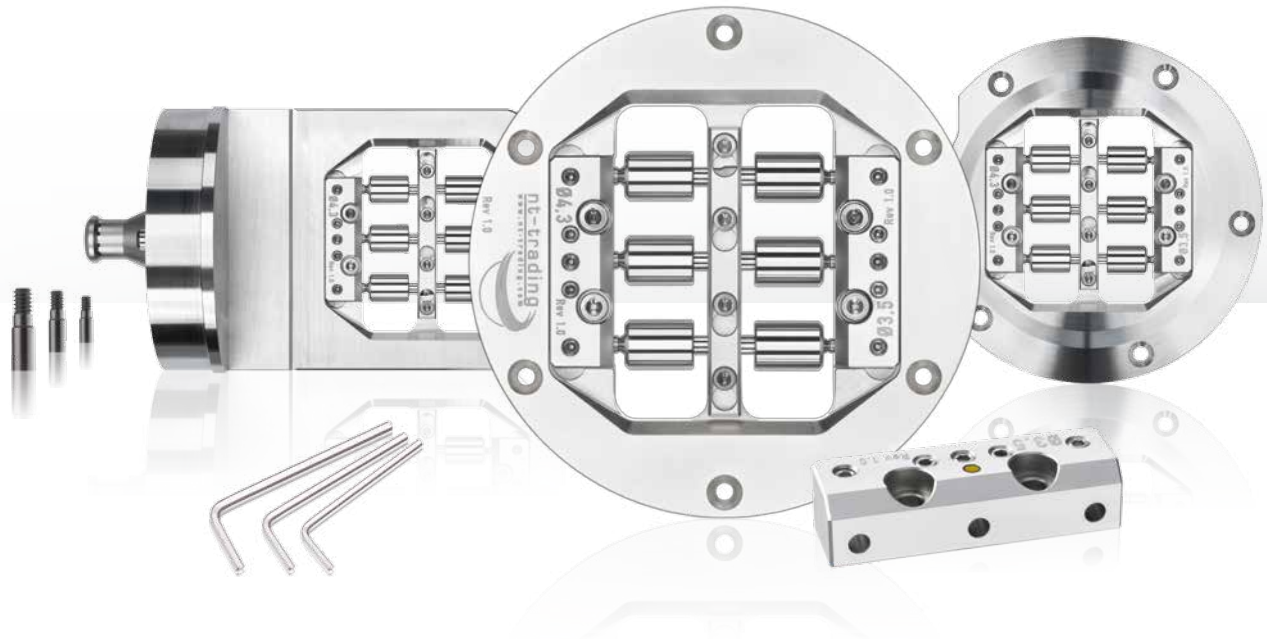


# SETS FOR:

■ IMES-CORE®  
■ DYAMACH®

■ DATRON D5®  
■ DATRON M7®  
■ RÖDERS RXD®  
■ SAUER ULTRASONIC 20®  
■ WISSNER

■ DENTAL CONCEPT SYSTEMS® DC5  
■ GF AGIE CHARMILLES MIKRON HSM 400  
■ HINT-ELS  
■ AVAMILL-CHROME®  
■ WILLEMIN-MACODEL®



## CONTENT

No.	Art. No.	Description	Quantity	
1	customer request	Holder fixture	1 pc.	★
2	customer request	Abutment grip diameter 3,5 mm, 4,3 mm or 5,0 mm	2 pcs.	★
3	W 12.Sc1.000	Holding screw No. 1 (Abutment grip screw), Set (content 4 pcs.)	1 pc.	★
4	W 12.Sc2.000	Holding screw No. 2 (holding fixture grip), Set (content 4 pcs.)	1 pc.	★
5	W 12.We1.000	Tool No. 1 (Abutment grip screw)	1 pc.	★
6	W 12.We2.000	Tool No. 2 (Holder fixture)	1 pc.	★
7	W 12.We3.000	Tool No. 3 (Lab analog)	1 pc.	★
8	customer request	Lab Analog	6 pcs.	★
9	customer request	nt-Preform®, incl. browned milling screw	6 pcs.	★
10	customer request	Abutment Screw	6 pcs.	★

Notice: Products indicated with ® and ™ are registered brand names of the respective manufactures.

Products indicated with ★ are available in the USA 